



**Kingfisher**  
BOATS & POWERCATS

# 450 Minicat

Centre Console, Side Console, Cuddy & Tiller





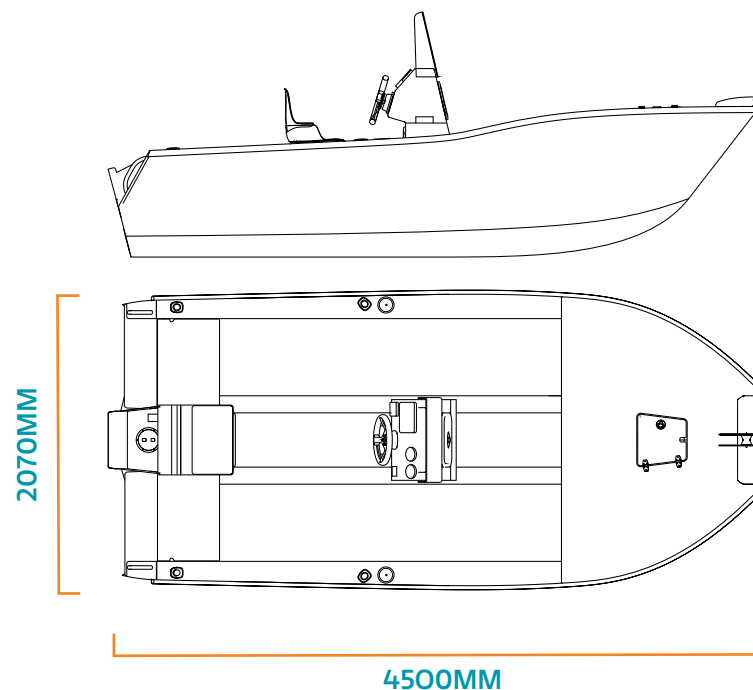


FOR UNBEATABLE STABILITY, VOLUME AND COMFORT.

## 450 Minicat - Centre Console

Take a seat behind the helm and find yourself in the centre of the action. The centre console allows you to get relief from sun and rain whilst housing your electronics, navigational equipment and engine controls. Load on all the bells and whistles you possess without forfeiting any of the vessels fishability.

With advancements in outboard and electrical technology, more and more of us are pushing to discover the limitations of small vessel boating. When you start exploring a little further off the coast and you need a hull that will perform above its weight class, look no further than the Kingfisher 450 Minicat. Whether it's shallow water casting, or blue water deep dropping, the 450 doesn't leave much to chance. Featuring twin bilge pumps, sealed dual flotation chambers and dry battery storage the 450 is the 'one size fits all' trailer cat. Leave the ramp with style and peace of mind, safe in the knowledge that you are with a boat that has seen it all.



### HULL FEATURES

Hull Length	4500mm
Beam	2070mm
Draft, with outboard up	250mm
Hull weight	400KG
Hull bottom thickness	4mm
Hull sides thickness	4mm
Floor	4mm
Transom height	20"
Recommended engine size	40HP-60HP

### STANDARD FEATURES

- Centre Console with dry storage (incl hatches)
- 4 x rod holders (aft and mid)
- 2 x grab rails (transom)
- Dual dry storage areas forward (incl hatches)
- Flat front casting platform
- Self draining anchor well with hatch
- Ultralon Octigrip flooring to floor, casting platform, boarding platform and gunnels
- Positive buoyancy to floor & gunnels
- Bilge pumps x 2
- Bollard & Bow Roller
- Integrated bait station at transom with storage hatch







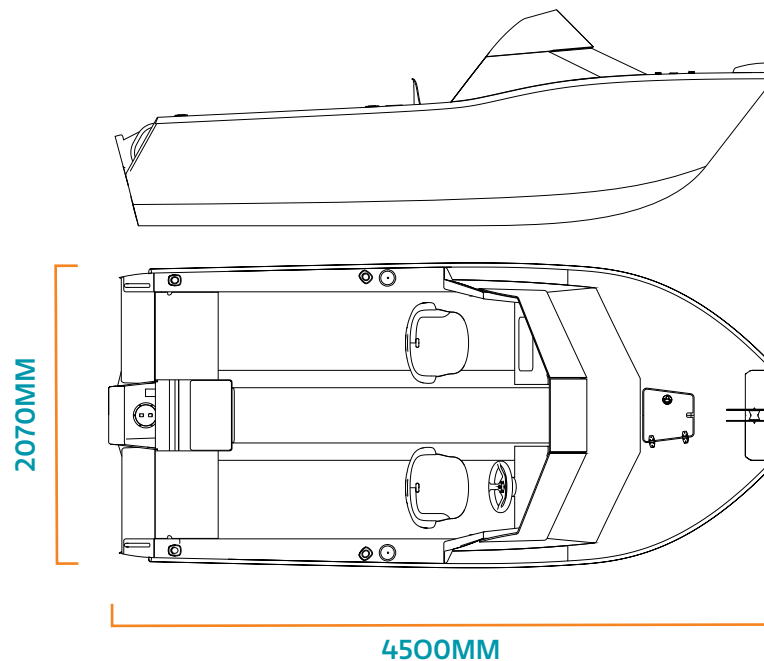


FOR UNBEATABLE STABILITY, VOLUME AND COMFORT.

## 450 Minicat - Cuddy

With advancements in outboard and electrical technology, more and more of us are pushing to discover the limitations of small vessel boating. When you start exploring a little further off the coast and you need a hull that will perform above its weight class, look no further than the Kingfisher 450 Minicat. Whether it's shallow water casting, or blue water deep dropping, the 450 doesn't leave much to chance.

Featuring twin bilge pumps, sealed dual flotation chambers and dry battery storage the 450 is the 'one size fits all' trailer cat. Leave the ramp with style and peace of mind, safe in the knowledge that you are with a boat that has seen it all. Available in 4 different configurations, let the 450 Minicat ignite your passion for small boat exploring.



### HULL FEATURES

Hull Length	4500mm
Beam	2070mm
Draft, with outboard up	250mm
Hull weight	400KG
Hull bottom thickness	4mm
Hull sides thickness	4mm
Floor	4mm
Transom height	20"
Recommended engine size	40HP-60HP

### STANDARD FEATURES

- Cuddy Cabin with dry storage (incl hatches)
- 4 x rod holders (aft and mid)
- 2 x grab rails (transom)
- Dual dry storage areas forward (incl hatches)
- Flat front casting platform
- Self draining anchor well with hatch
- Ultralon Octigrip flooring to floor, casting platform, boarding platform and gunnels
- Positive buoyancy to floor & gunnels
- Bilge pumps x 2
- Bollard & Bow Roller
- Integrated bait station at transom with storage hatch
- 2 x cup holders







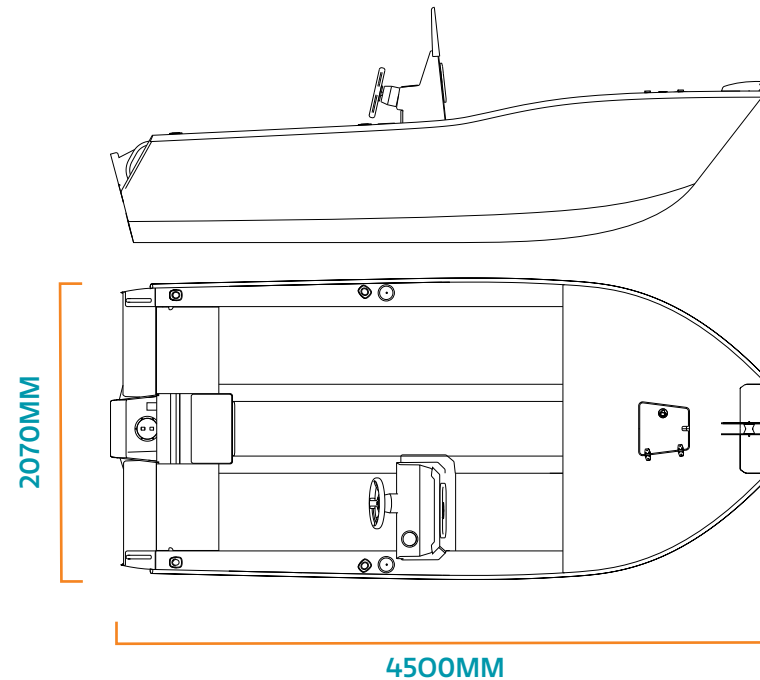


FOR UNBEATABLE STABILITY, VOLUME AND COMFORT.

## 450 Minicat - Side Console

With advancements in outboard and electrical technology, more and more of us are pushing to discover the limitations of small vessel boating. When you start exploring a little further off the coast and you need a hull that will perform above its weight class, look no further than the Kingfisher 450 Minicat.

Whether it's shallow water casting, or blue water deep dropping, the 450 doesn't leave much to chance. Featuring twin bilge pumps, sealed dual flotation chambers and dry battery storage the 450 is the 'one size fits all' trailer cat. Leave the ramp with style and peace of mind, safe in the knowledge that you are with a boat that has seen it all. Featuring a slightly smaller helm station than the centre console, the side console gives you a dedicated home for electronics, navigational equipment and hydraulic steering whilst still keeping the deck space almost completely uncluttered.



### HULL FEATURES

Hull Length	4500mm
Beam	2070mm
Draft, with outboard up	250mm
Hull weight	400KG
Hull bottom thickness	4mm
Hull sides thickness	4mm
Floor	4mm
Transom height	20"
Recommended engine size	40HP-60HP

### STANDARD FEATURES

- Side console
- 4 x rod holders (aft and mid)
- 2 x grab rails (transom)
- Dual dry storage areas forward (incl hatches)
- Flat front casting platform
- Self draining anchor well with hatch
- Ultralon Octigrip flooring to floor, casting platform, boarding platform and gunnels
- Positive buoyancy to floor & gunnels
- Bilge pumps x 2
- Bollard & Bow Roller
- Integrated bait station at transom with storage hatch







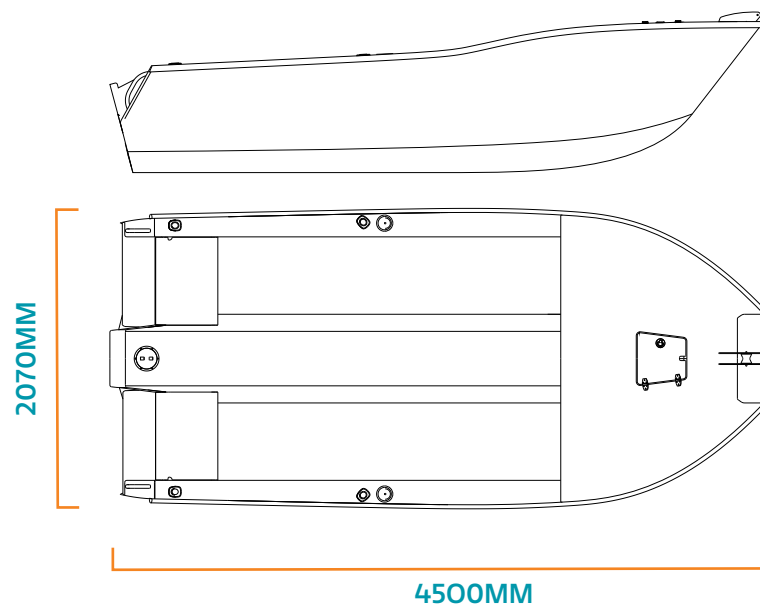


FOR SMALL BOAT STABILITY WITH OODLES OF ROOM.

## 450 Minicat - Tiller

The old saying goes, if it ain't broke, don't fix it. This is very much the case for Kingfisher Boat's original Minicat, the 450 Tiller Steer. The tiller steer is the all time go to for a no-frills, back-to-basics inshore watercraft. Match this functionality with the Kingfisher 450 Minicats long list of exciting features and you're left with a 'best of both worlds' type scenario.

Opting for tiller steer means the boats cockpit and floor space is completely open and uncluttered, allowing even more room for your chosen water activity to run without clutter getting in the way. Keep everything you need and do away with everything you don't. The 450 Tiller has it covered.



### HULL FEATURES

Hull Length	4500mm
Beam	2070mm
Draft, with outboard up	250mm
Hull weight	400KG
Hull bottom thickness	4mm
Hull sides thickness	4mm
Floor	4mm
Transom height	25"
Recommended engine size	40HP-60HP

### STANDARD FEATURES

- 4 x rod holders (aft and mid)
- 2 x grab rails (transom)
- Dual dry storage areas forward (incl hatches)
- Flat front casting platform with anchor hatch
- Self draining anchor well with hatch
- Ultralon Octigrip flooring to floor, casting platform, boarding platform and gunnels
- Positive buoyancy to floor & gunnels
- Bilge pumps x 2
- Bollard & Bow Roller
- Integrated bait station at transom with storage hatch

